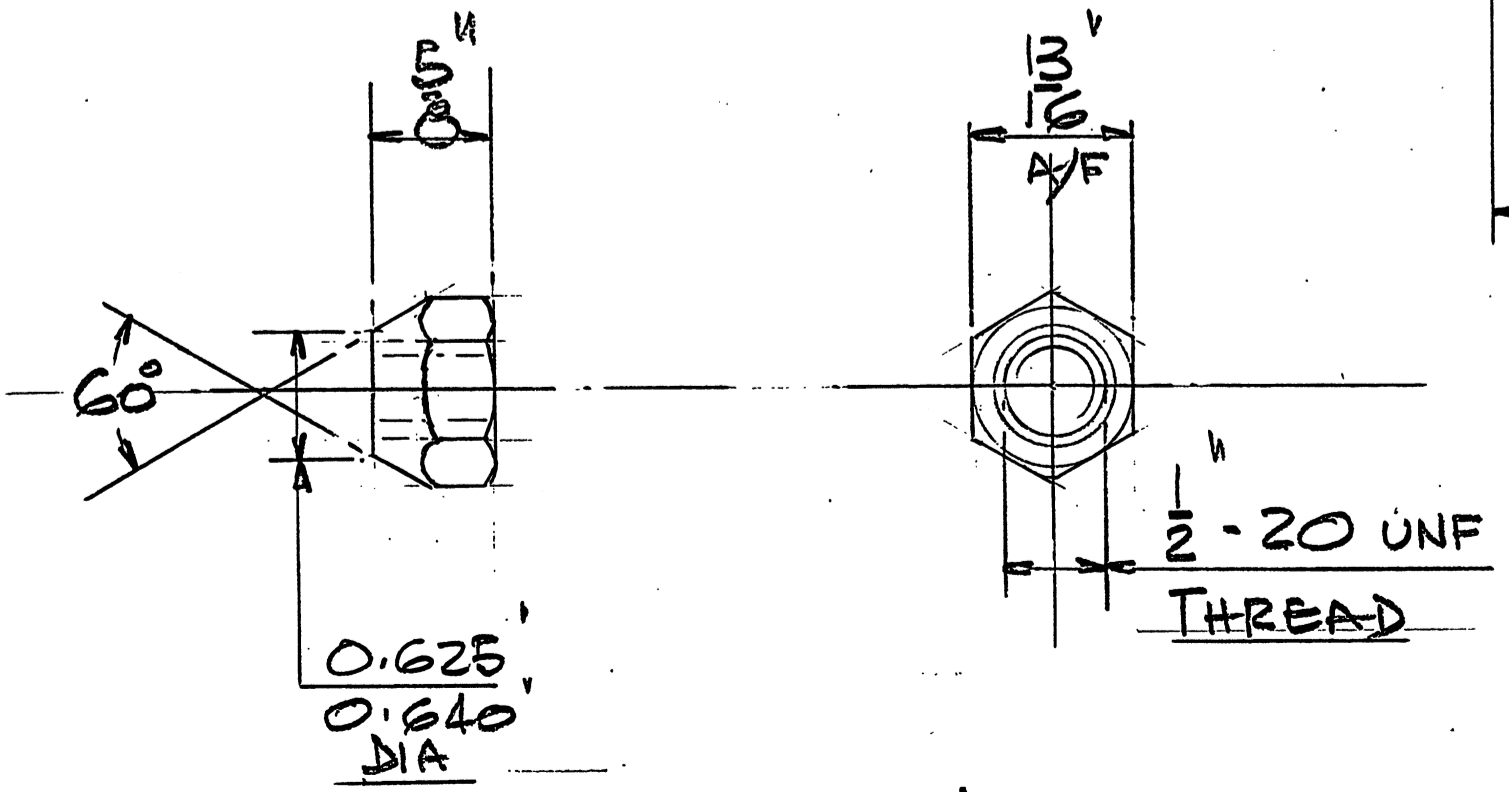


8 1/2" DIA OVER 5 1/8" DIA  
HUB CAP LOCATING  
PINS.

5 EQUI-SPACED  
WHEEL STUD HOLES  
ON 140 MM P.C.D.



STANDARD ALLARD  
WHEEL NUT

SECTION THROUGH 4 1/2" x 16"  
PRESSED STEEL ROAD WHEEL  
SHOWING FRONT & REAR BRAKE  
DRUM EXTERNAL DIMENSIONS.

ALLARD ROAD WHEEL  
MOUNTING DIMENSIONS

D.L.H. Est 2004